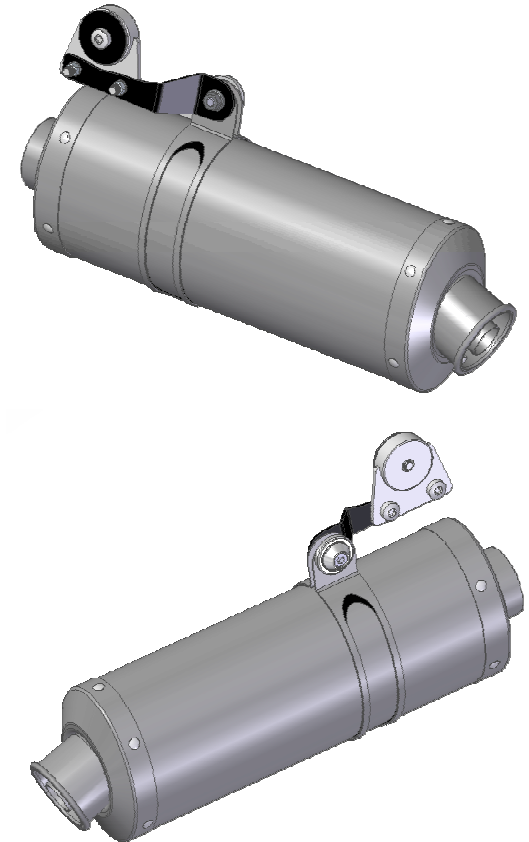
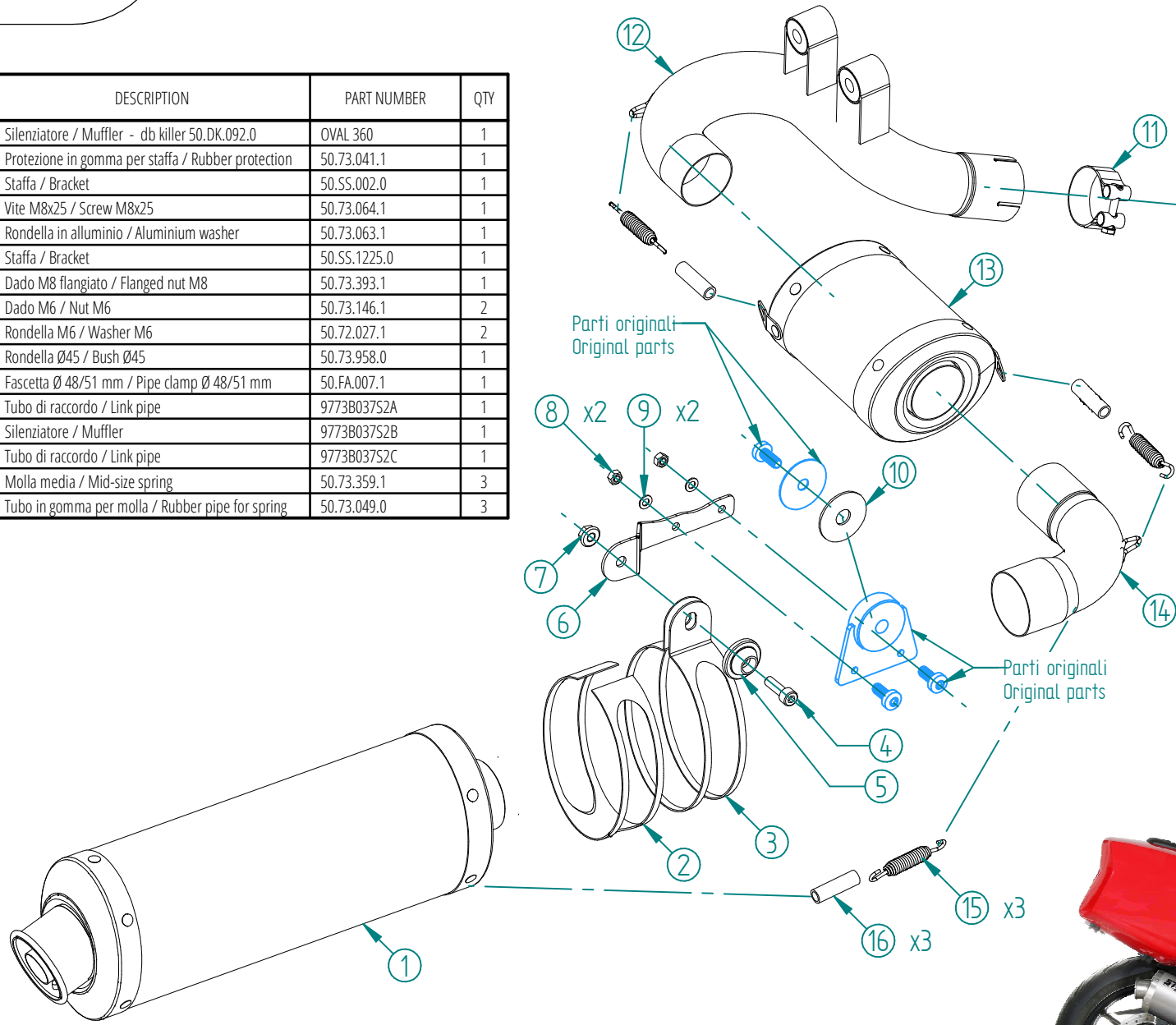


#	DESCRIPTION	PART NUMBER	QTY
1	Silenziatore / Muffler - db killer 50.DK.092.0	OVAL 360	1
2	Protezione in gomma per staffa / Rubber protection	50.73.041.1	1
3	Staffa / Bracket	50.SS.002.0	1
4	Vite M8x25 / Screw M8x25	50.73.064.1	1
5	Rondella in alluminio / Aluminium washer	50.73.063.1	1
6	Staffa / Bracket	50.SS.1225.0	1
7	Dado M8 flangiato / Flanged nut M8	50.73.393.1	1
8	Dado M6 / Nut M6	50.73.146.1	2
9	Rondella M6 / Washer M6	50.72.027.1	2
10	Rondella Ø45 / Bush Ø45	50.73.958.0	1
11	Fascetta Ø 48/51 mm / Pipe clamp Ø 48/51 mm	50.FA.007.1	1
12	Tubo di raccordo / Link pipe	9773B03752A	1
13	Silenziatore / Muffler	9773B03752B	1
14	Tubo di raccordo / Link pipe	9773B03752C	1
15	Molla media / Mid-size spring	50.73.359.1	3
16	Tubo in gomma per molla / Rubber pipe for spring	50.73.049.0	3



APPLICAZIONI / APPLICATIONS			
CODICE / CODE	SILENZIATORE / MUFFLER	FASCETTA / CLAMP	TUBO / PIPE
74.B.037.LX2	INOX / ST. STEEL	INOX / ST. STEEL	INOX / ST. STEEL
74.B.037.LX2B	STEEL BLACK		